

[Click HERE to return to the Table of Contents](#)

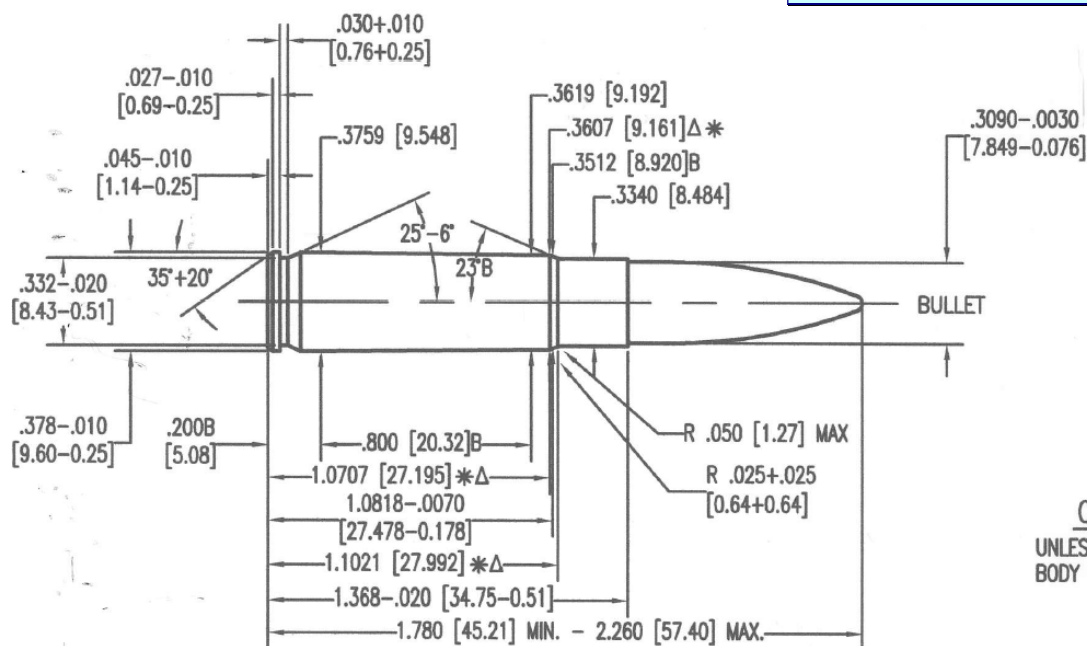
S A A M I

SPORTING ARMS AND AMMUNITION MANUFACTURERS' INSTITUTE, INC.

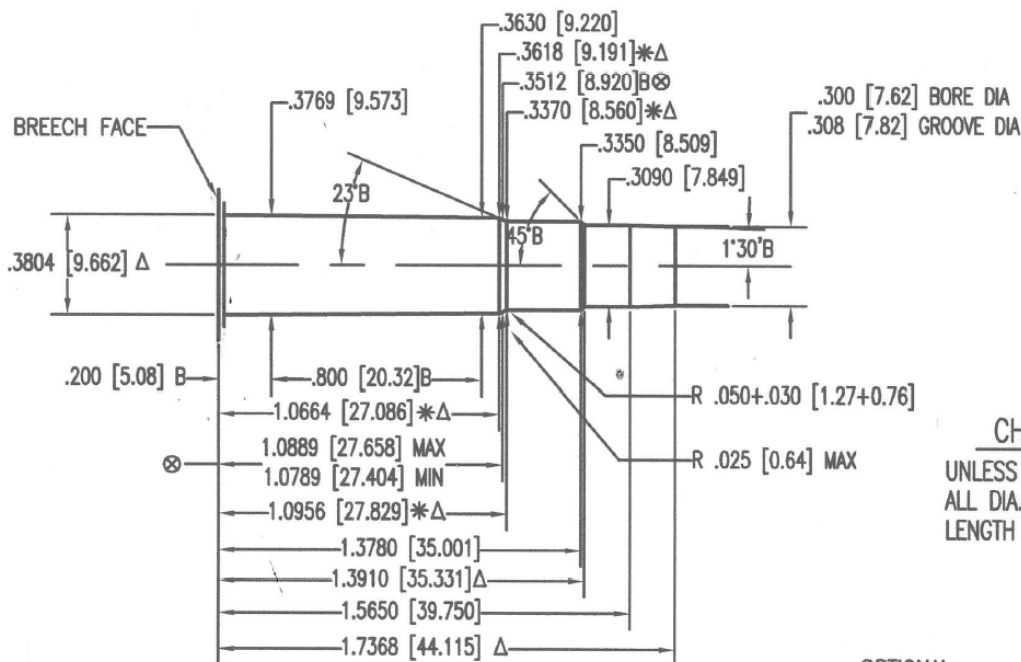
Since 1926

MAXIMUM CARTRIDGE / MINIMUM CHAMBER

300 AAC BLACKOUT



CARTRIDGE
UNLESS OTHERWISE NOTED
BODY DIA. -.005 [.13]



CHAMBER
UNLESS OTHERWISE NOTED
ALL DIA. +.002 [0.05]
LENGTH TOL. +.015 [0.38]

OPTIONAL:
Δ 5 GROOVES
Δ .146+.002 [3.71+0.05] WIDE
TWIST: 8 [203.2] R.H.

MIN. BORE & GROOVE
AREA: .0737 SQ. IN. [47.548 mm²]

COPYRIGHT © SPORTING ARMS AND AMMUNITION MANUFACTURERS' INSTITUTE, INC. ("SAAMI"). ALL RIGHTS RESERVED.
Reproduction, republication or redistribution of SAAMI technical drawings and data sheets in any manner, in whole or in part, without SAAMI's prior written consent is prohibited.