

SAAMI VOLUNTARY PERFORMANCE STANDARDS

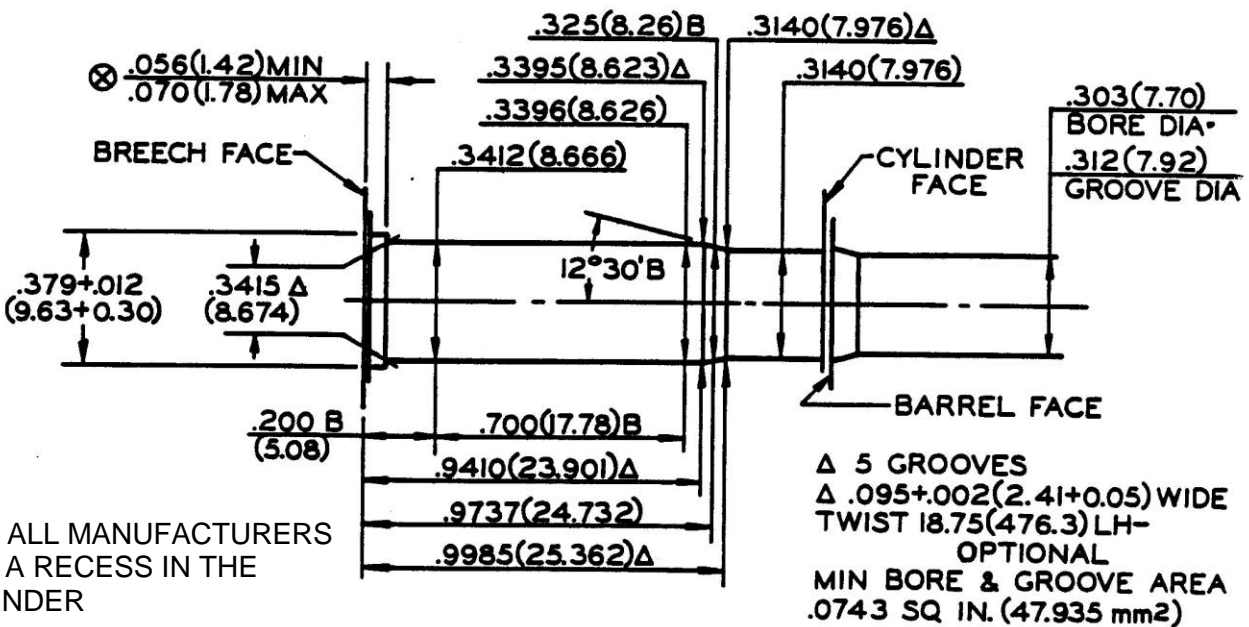
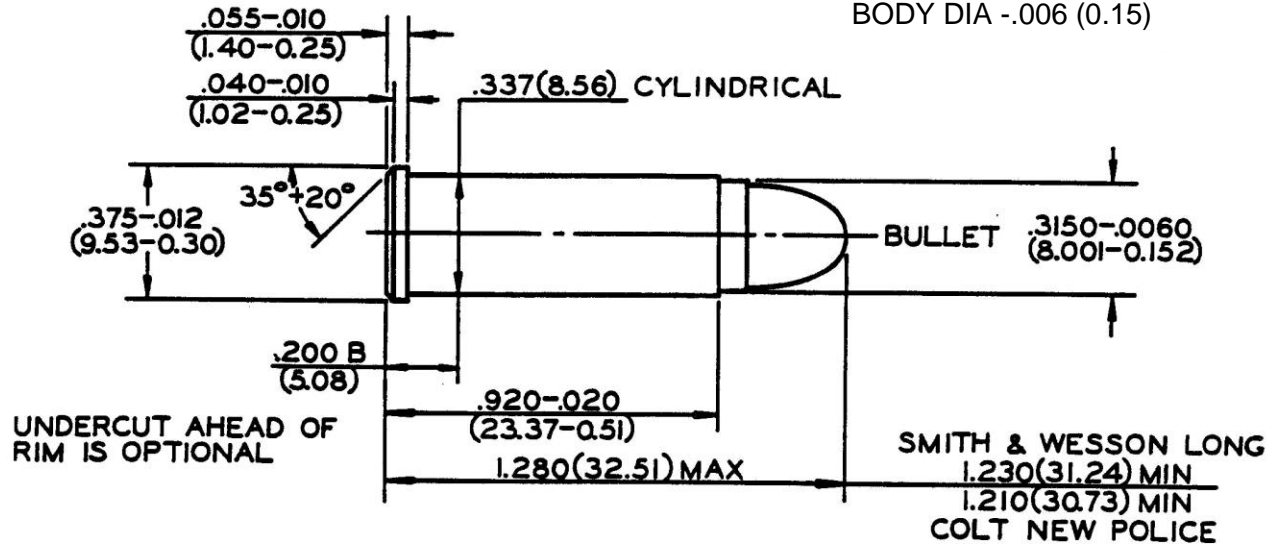
**NOTICE:** This drawing is subject to change.  
 Current version is available at [www.saami.org](http://www.saami.org).

MAXIMUM CARTRIDGE / MINIMUM CHAMBER

**32 SMITH & WESSON LONG  
 (32 COLT NEW POLICE)**

**CARTRIDGE**

UNLESS OTHERWISE NOTED  
 BODY DIA -.006 (0.15)



$\Delta$  5 GROOVES  
 $\Delta .095+.002(2.41+0.05)$  WIDE  
 TWIST 18.75(476.3) LH-  
 OPTIONAL  
 MIN BORE & GROOVE AREA  
 $.0743$  SQ IN. (47.935 mm<sup>2</sup>)

**CHAMBER**

UNLESS OTHERWISE NOTED  
 ALL DIA +.004 (0.10)  
 LENGTH TOL +.015 (0.38)

**NOTE**

B = BASIC  
 $\otimes$  = HEADSPACE DIMENSION  
 \* = DIMENSIONS TO INTERSECTIONS OF LINES  
 ALL CALCULATIONS APPLY AT MAXIMUM MATERIAL CONDITION (MMC)  
 $\Delta$  = REFERENCE DIMENSION  
 (XX.XX) = MILLIMETERS